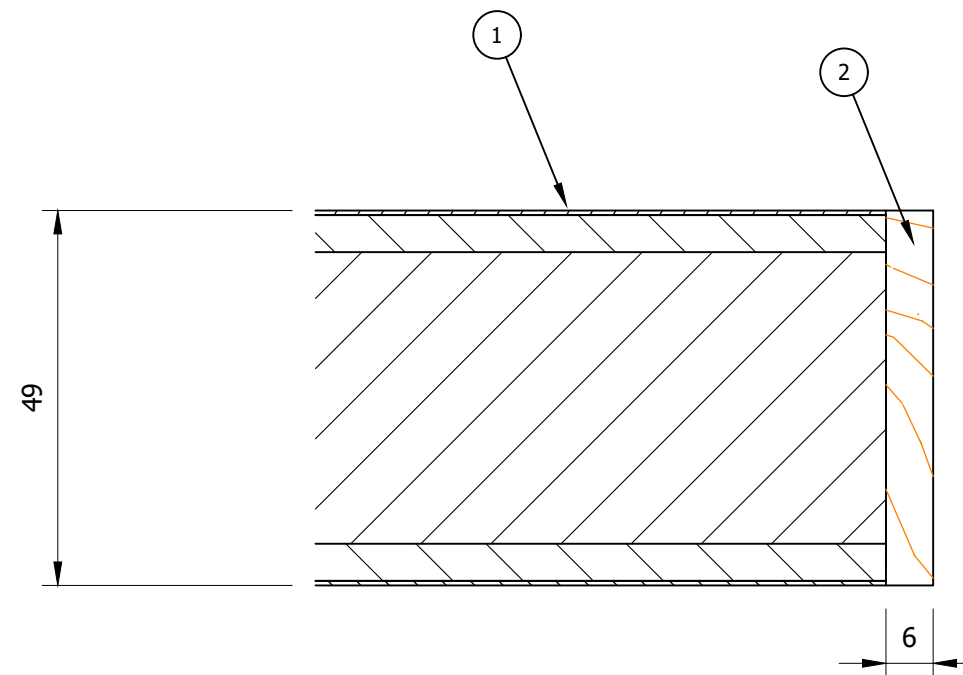

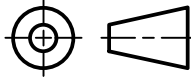


MATERIAL LIST			
ITEM	STOCK NUMBER	DESCRIPTION	COMMENTS
1	VNR	Timber Veneer/ Laminate	
2	49 x 6 mm MS	Meeting Stile Timber Profile	Material to suit door facings , Density to be 650 kg/m3 or higher

Specifications	
CORE	Infernoguard 60
FRR	-/60/60sm, -/60/30sm, -/60/-sm



Drawn	G . STABLES	 SOTERIA™ DOORS Innovative Openings	Edward Street Dargaville 0310 Ph.: 0508 966 378	
Client	Doors 'n' More			
Job	-			
Drawing Type	Installation	Fire Resistance Rated - Clashed Edge		
Date	13/9/2023			
ALL DIMENSIONS ARE IN MILLIMETERS UNLESS OTHERWISE STATED		 3rd ANGLE PROJECTION	Drawing No. FRR-Clashing	
TOLERANCES UNLESS OTHERWISE STATED: LINEAR: X - ±2 HOLES: ±0.1 X.X- ±0.1 ANGULAR: X.X - ±0.1° X.XX- ±0.05			Revision A1	
		© COPYRIGHT		Sheet No. 1 / 1