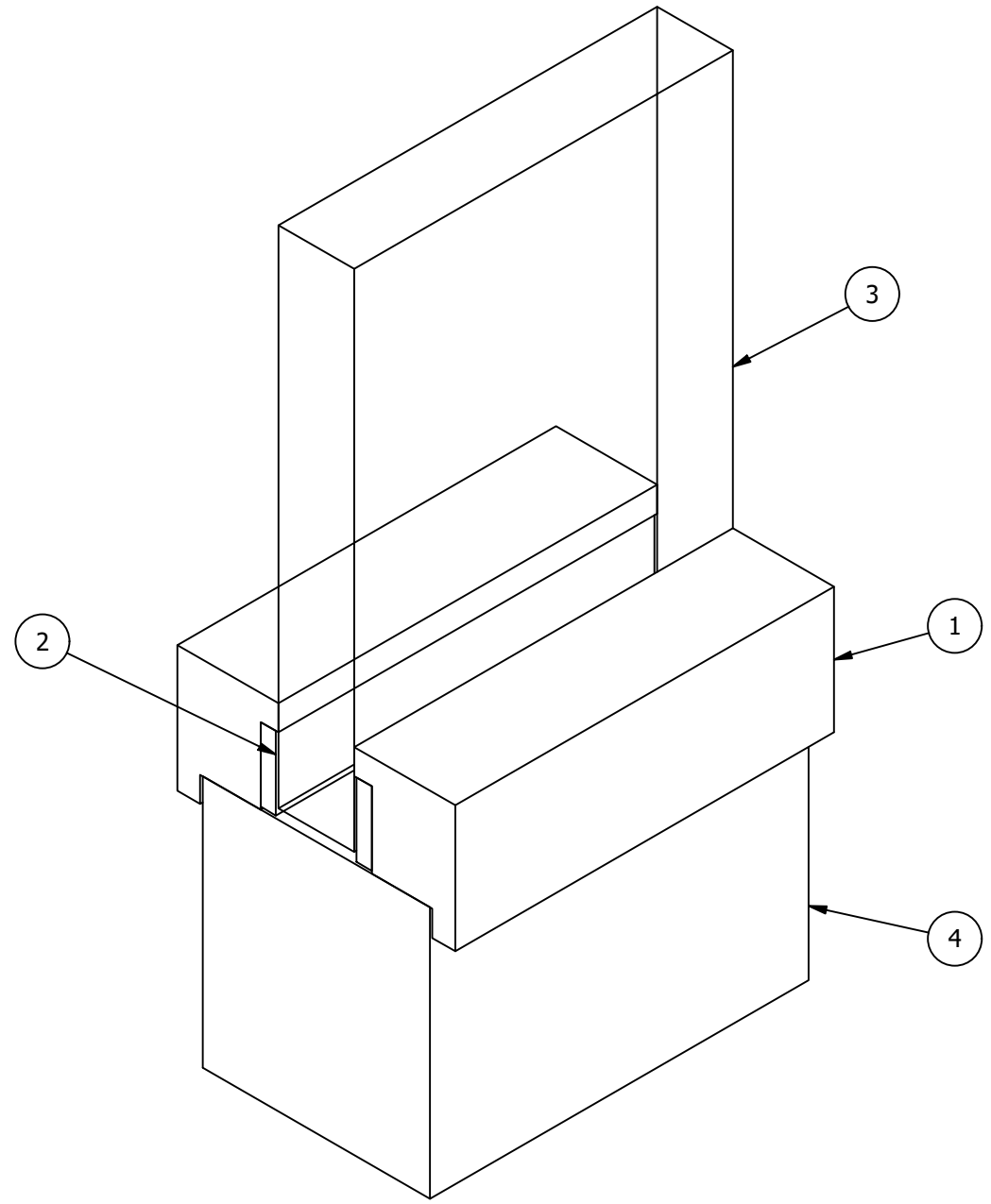
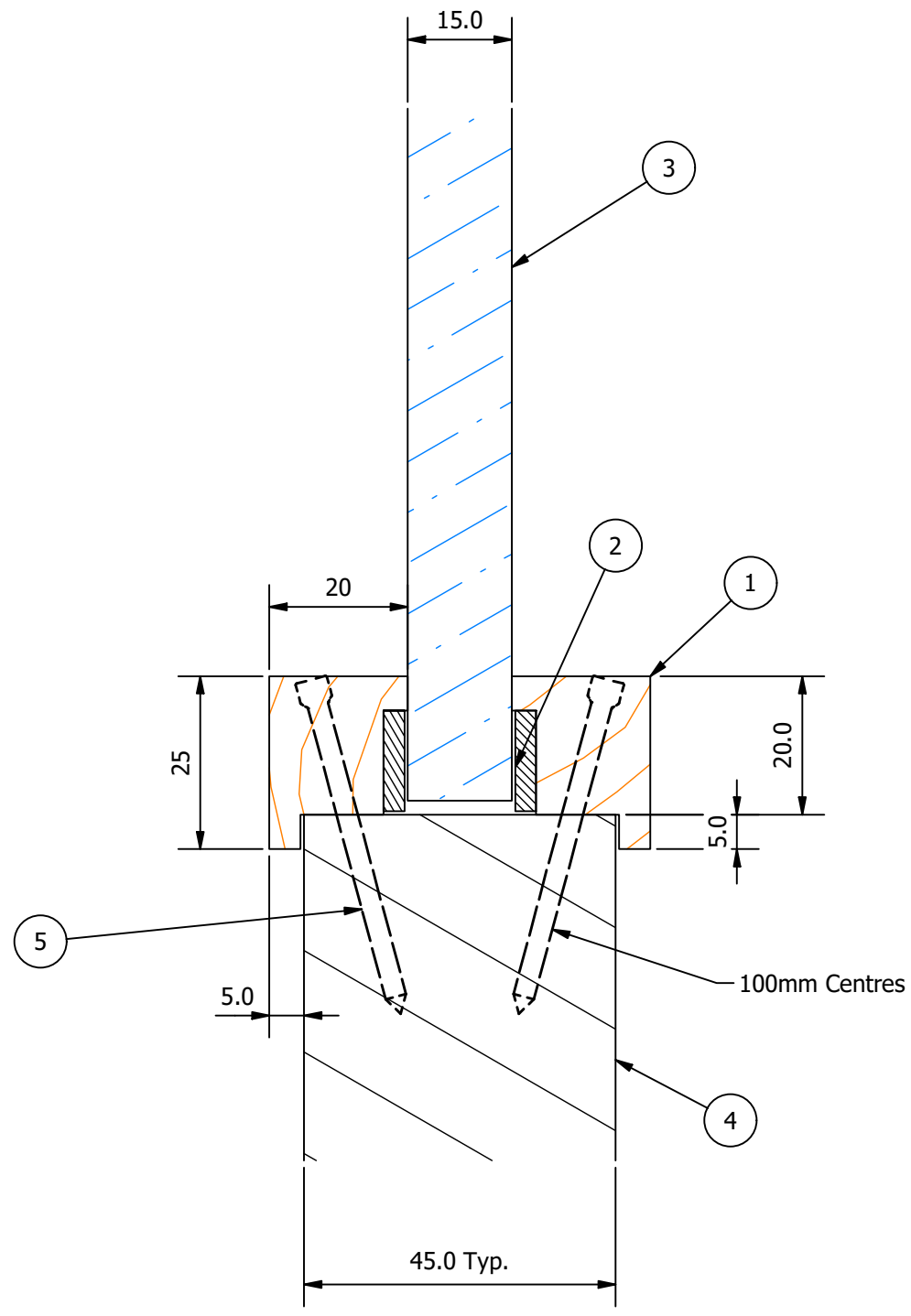


PART DETAILS			
ITEM	STOCK NUMBER	DESCRIPTION	COMMENTS
1	VPS 25 x 20 FRR	Timber Beading	
2	15 x 3 mm IS	Intumescent Strip	
3	Pyro 15	15 mm Pyro (Fire Resistant) Glass	
4	FRR Leaf	Fire Resistance Rated Door Leaf	
5	N50x3.2mm	Galvanised Jolthead Nail 50x3.2mm	200mm Ctrs Typ

A-A (1 : 1)



Specifications	
CORE	Infernoguard 30
FRR	-/30/30sm, -/30/-sm

Drawn	Roy MACINTYRE
Client	Soteria
Job	-
Drawing Type	Installation
Job No.	-

SOTERIA
DOORS
Innovative Openings

Edward Street
Dargaville 0310
Ph.: 0508 966 378

ALL DIMENSIONS ARE IN MILLIMETRES
UNLESS OTHERWISE STATED

TOLERANCES UNLESS OTHERWISE STATED:
 LINEAR: X - ±2 HOLES: ±0.1
 X.X- ±0.1 ANGULAR: X.X - ±0.1°
 X.XX- ±0.05

3rd ANGLE
PROJECTION

Drawing No. VP-FRR - Timber	
Revision C	Sheet No. 1 / 1

© COPYRIGHT