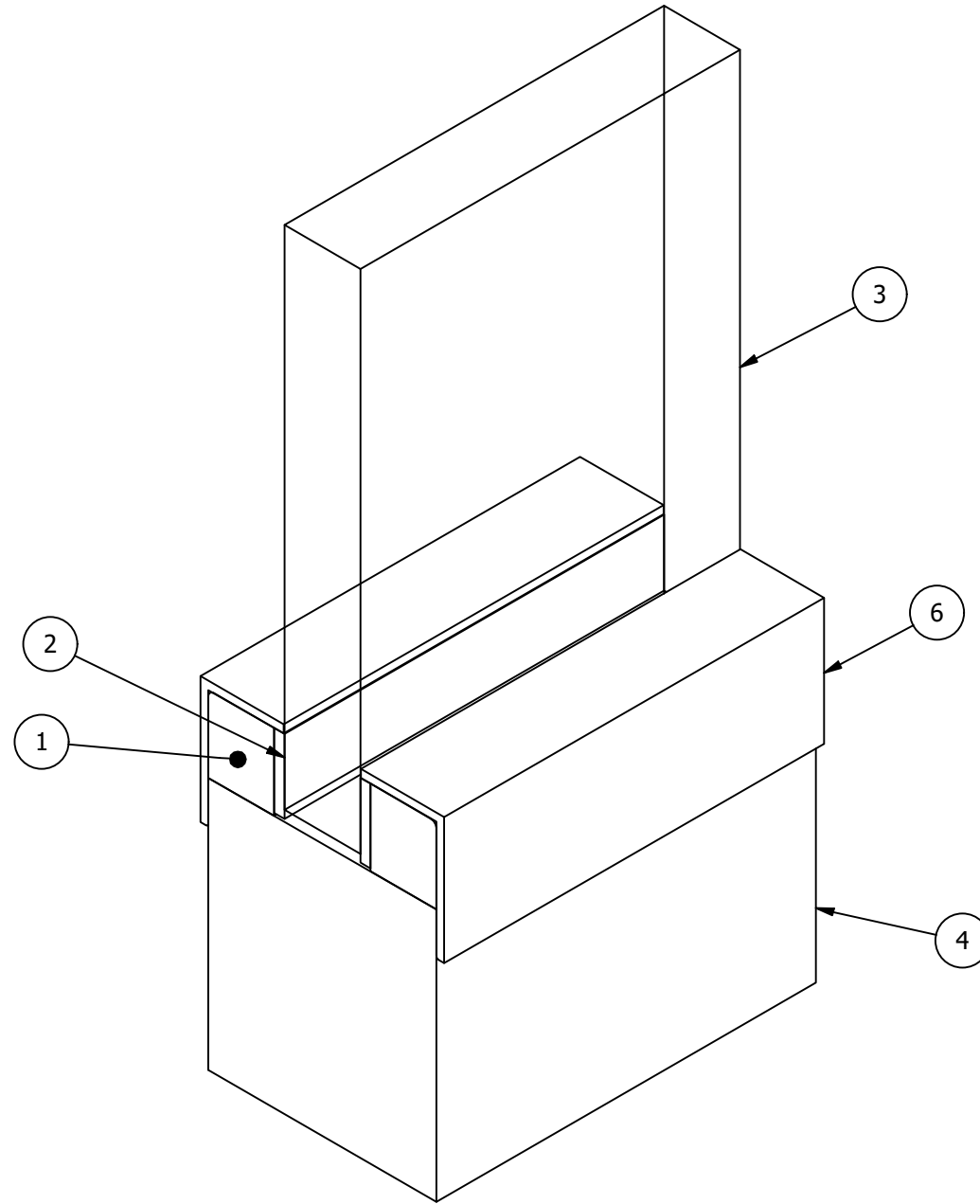
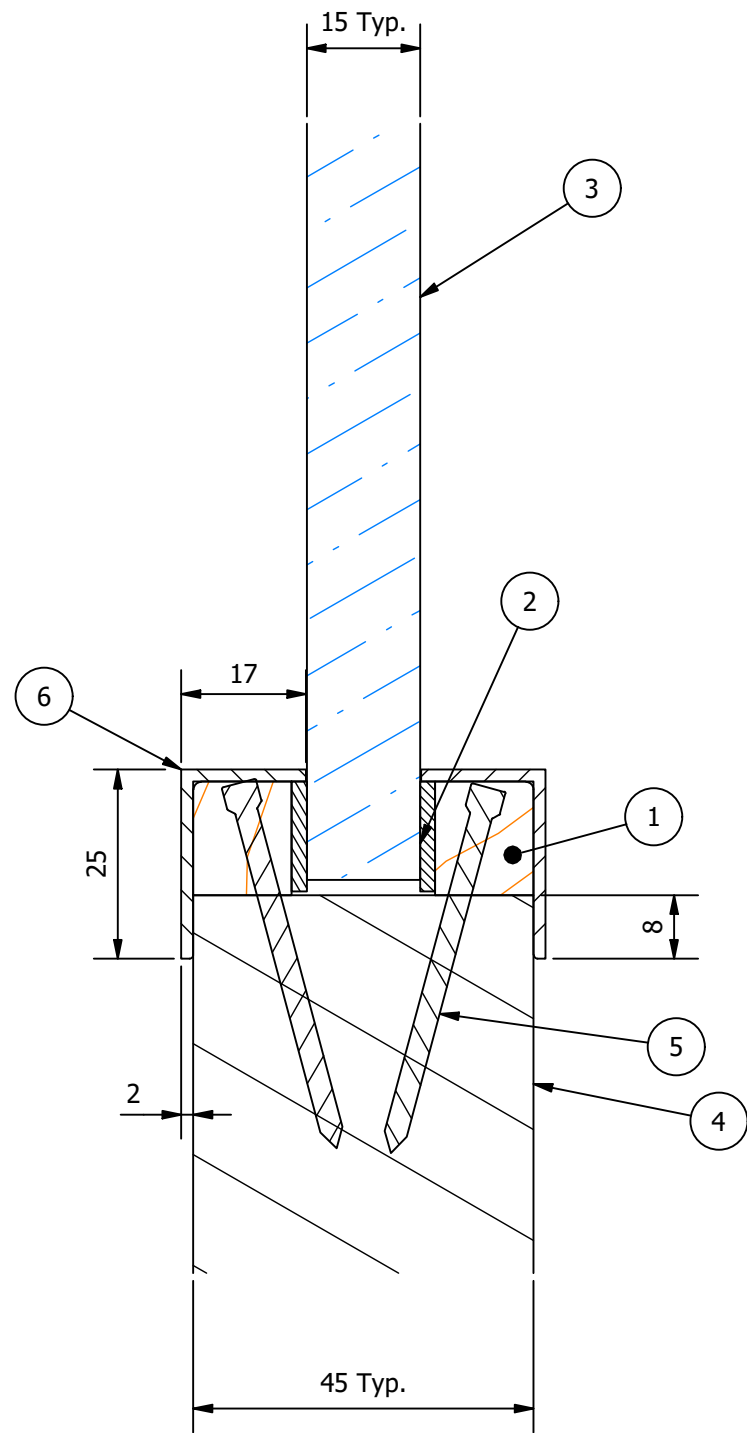


PART DETAILS			
ITEM	STOCK NUMBER	DESCRIPTION	COMMENTS
1	15 x 13 WB	Timber Bead	
2	15 x 2 mm IS	Intumescent Strip	
3	Pyro 15	15 mm Pyro (Fire Resistant) Glass	
4	FRR Leaf	Fire Resistance Rated Door Leaf	
5	N50x3.2mm	Galvanised Jolthead Nail 50x3.2mm	200mm Ctrs Typ
6	UA1732	25 x 17 x 1.6 mm UA AL	Unequal Angle, Aluminium

A-A (1 : 1)



Specifications	
CORE	Infernoguard 30
FRR	-/30/30sm, -/30/-sm

Drawn	Roy Macintyre
Client	Soteria
Job	-
Drawing Type	Cutlist
Job No.	-

Edward Street  
Dargaville 0310  
Ph.: 0508 966 378

Fire Resistance Rated Vision Panel - Aluminium Beading

ALL DIMENSIONS ARE IN MILLIMETRES  
UNLESS OTHERWISE STATED

TOLERANCES UNLESS OTHERWISE STATED:  
 LINEAR: X - ±2 HOLES: ±0.1  
 X.X- ±0.1 ANGULAR: X.X - ±0.1°  
 X.XX- ±0.05

3rd ANGLE PROJECTION

© COPYRIGHT

Drawing No.	VP-FRR - Ali
Revision	C
Sheet No.	1 / 1