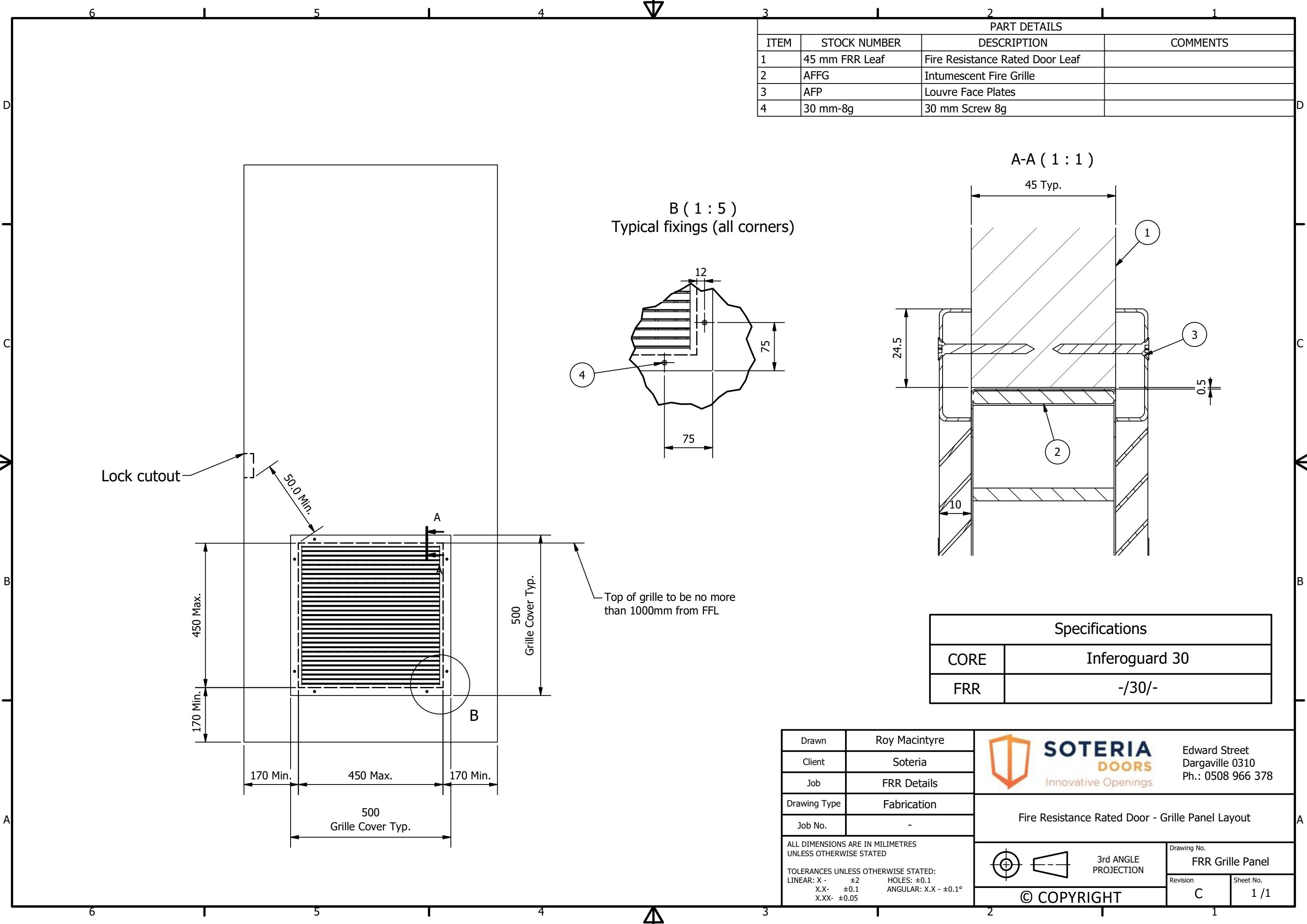
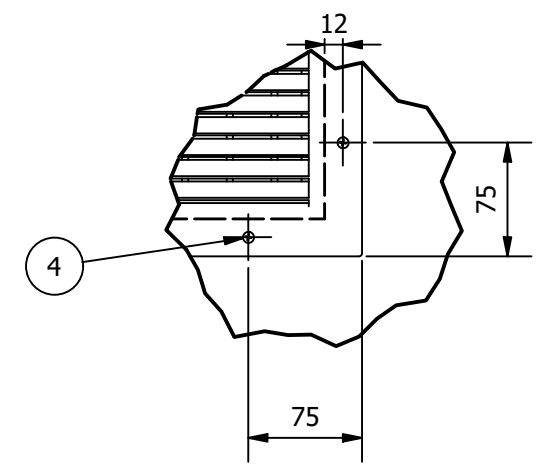


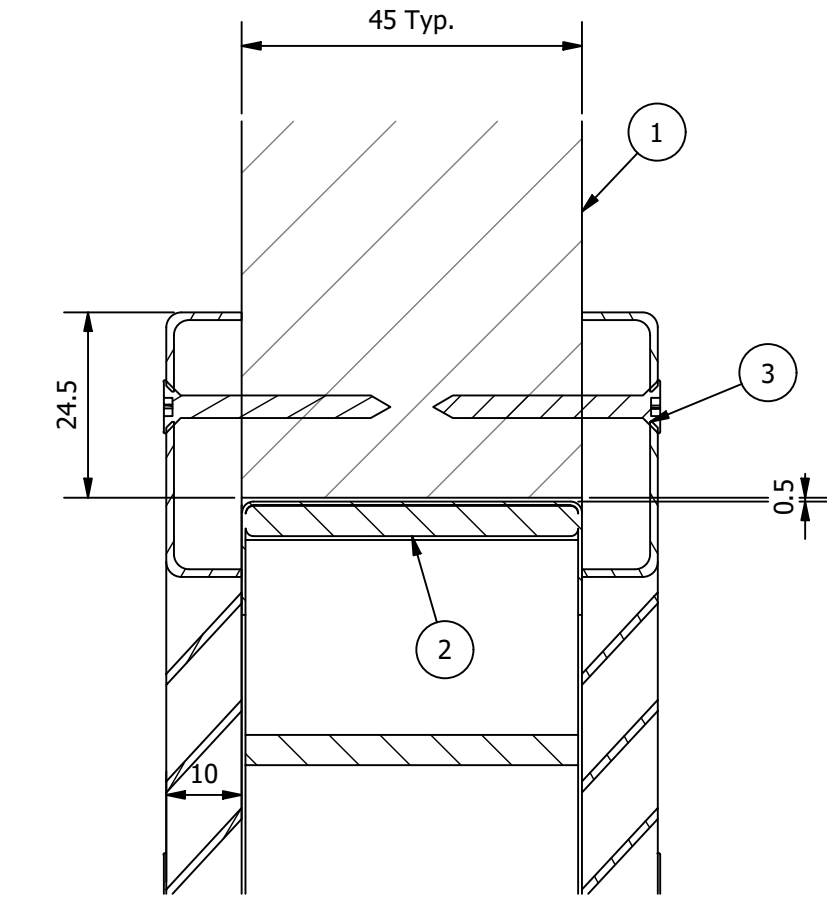
PART DETAILS			
ITEM	STOCK NUMBER	DESCRIPTION	COMMENTS
1	45 mm FRR Leaf	Fire Resistance Rated Door Leaf	
2	AFFG	Intumescent Fire Grille	
3	AFP	Louvre Face Plates	
4	30 mm-8g	30 mm Screw 8g	



B (1 : 5)
Typical fixings (all corners)



A-A (1 : 1)



Lock cutout
50.0 Min.

Top of grille to be no more than 1000mm from FFL

Specifications	
CORE	Inferoguard 30
FRR	-/30/-

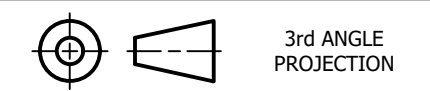
Drawn	Roy Macintyre
Client	Soteria
Job	FRR Details
Drawing Type	Fabrication
Job No.	-

Edward Street
Dargaville 0310
Ph.: 0508 966 378

Fire Resistance Rated Door - Grille Panel Layout

ALL DIMENSIONS ARE IN MILLIMETRES UNLESS OTHERWISE STATED

TOLERANCES UNLESS OTHERWISE STATED:
 LINEAR: X - ±2 HOLES: ±0.1
 X.X- ±0.1 ANGULAR: X.X - ±0.1°
 X.XX- ±0.05



Drawing No.	
FRR Grille Panel	
Revision	Sheet No.
C	1 / 1

© COPYRIGHT