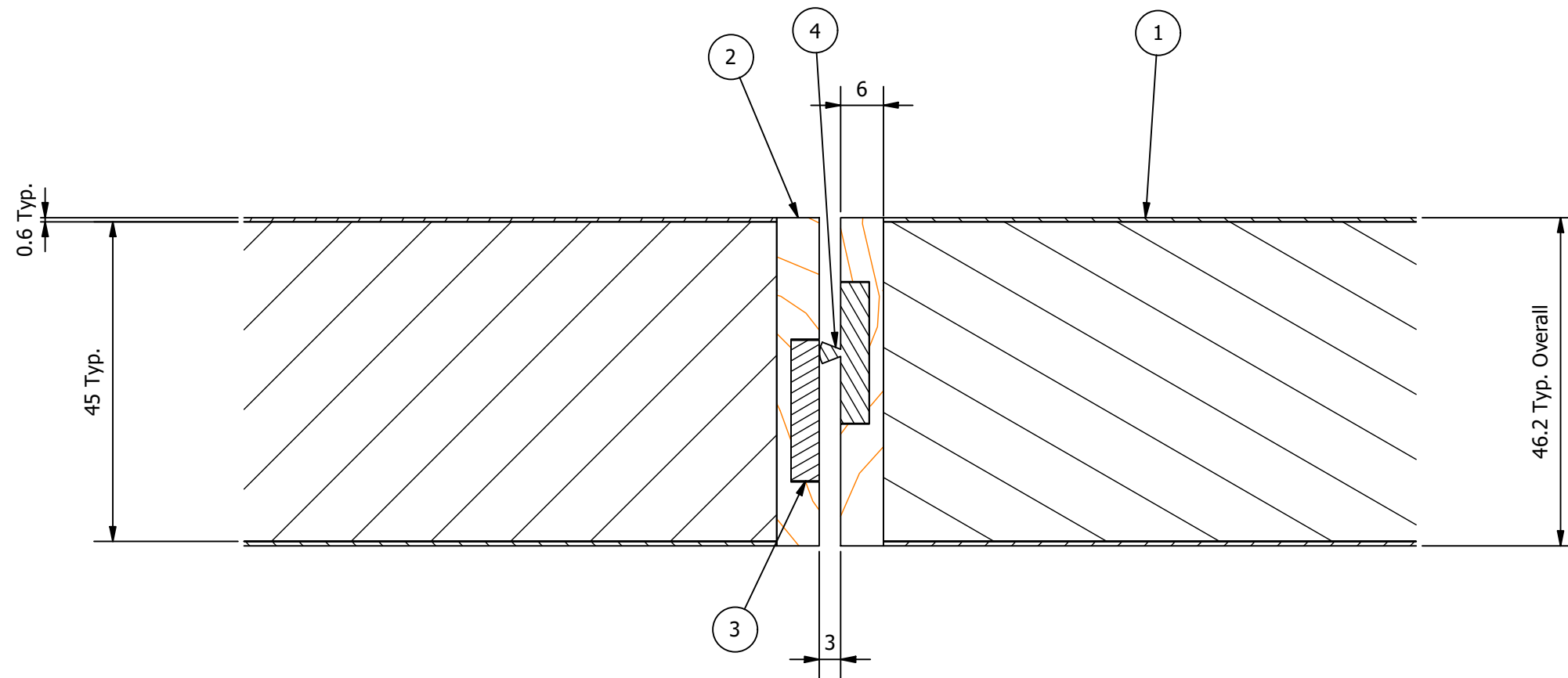


Specifications

CORE	Infernoguard 30
FRR	-/30/30sm, -/30/-sm

MATERIAL LIST

ITEM	STOCK NUMBER	DESCRIPTION	COMMENTS
1	VNR	Timber Veneer/ Laminate	
2	46 x 6 mm MS	Meeting Stile Timber Profile	Material to suit veneer, Density to be 480 kg/m3 or higher
3	20 x 4 mm IS	Intumescent Strip	
4	20 x 4 mm 500PSS	Intumescent Strip w Brush Smoke Seal	



Drawn	Roy Macintyre	 SOTERIA DOORS Innovative Openings	Edward Street Dargaville 0310 Ph.: 0508 966 378	
Client	Soteria			
Job	MS-FRR			
Drawing Type	Fabrication			
Job No.	-	Fire Resistance Rated Hung Pair - Clashed Flush Meeting Stile		
ALL DIMENSIONS ARE IN MILLIMETERS UNLESS OTHERWISE STATED		 3rd ANGLE PROJECTION	Drawing No. MS-FRR-C	
TOLERANCES UNLESS OTHERWISE STATED: LINEAR: X - ±1 HOLES: ±0.1 X.X- ±0.1 ANGULAR: X.X - ±0.1° X.XX- ±0.05			Revision C	Sheet No. 1 / 1
© COPYRIGHT				