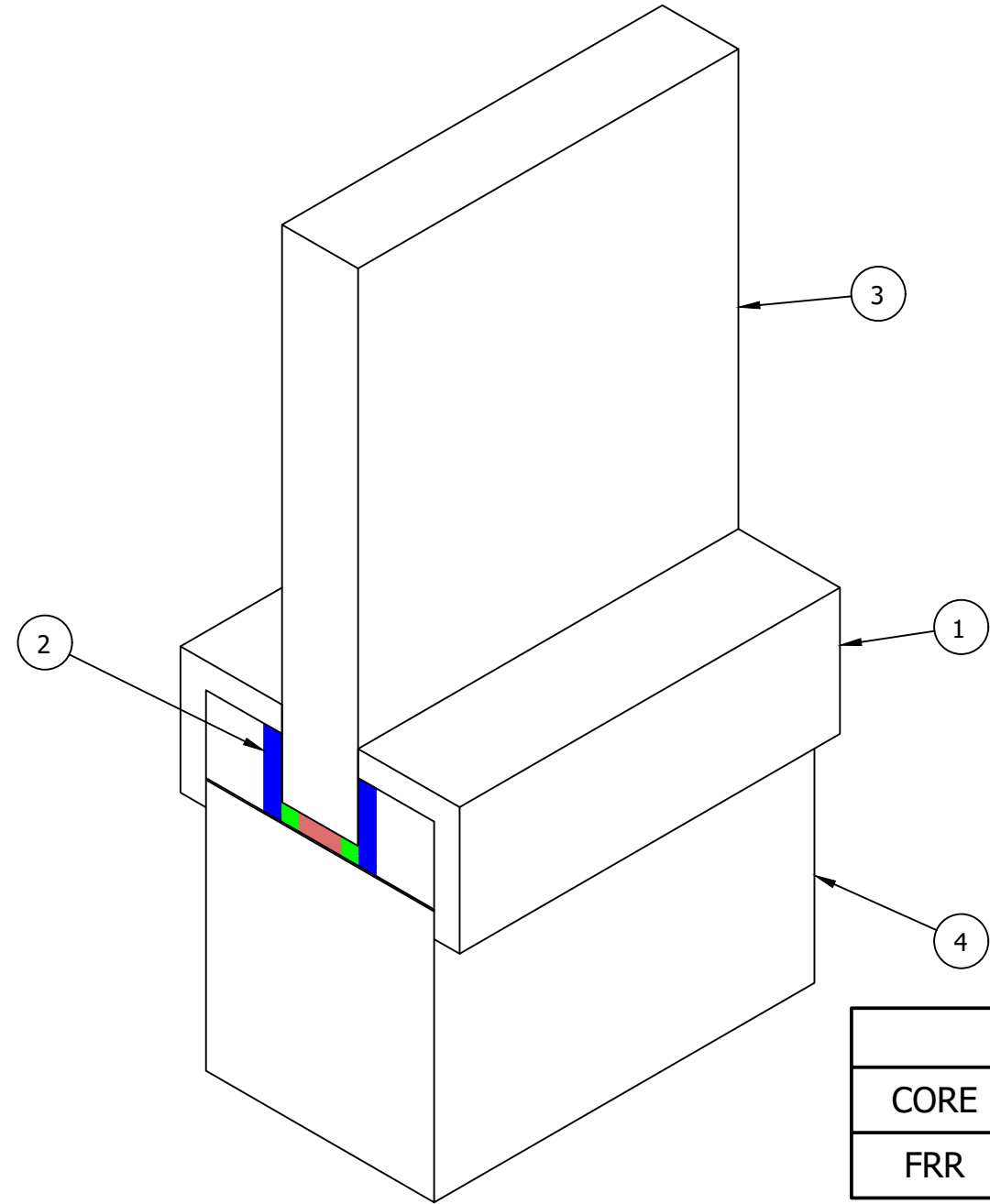
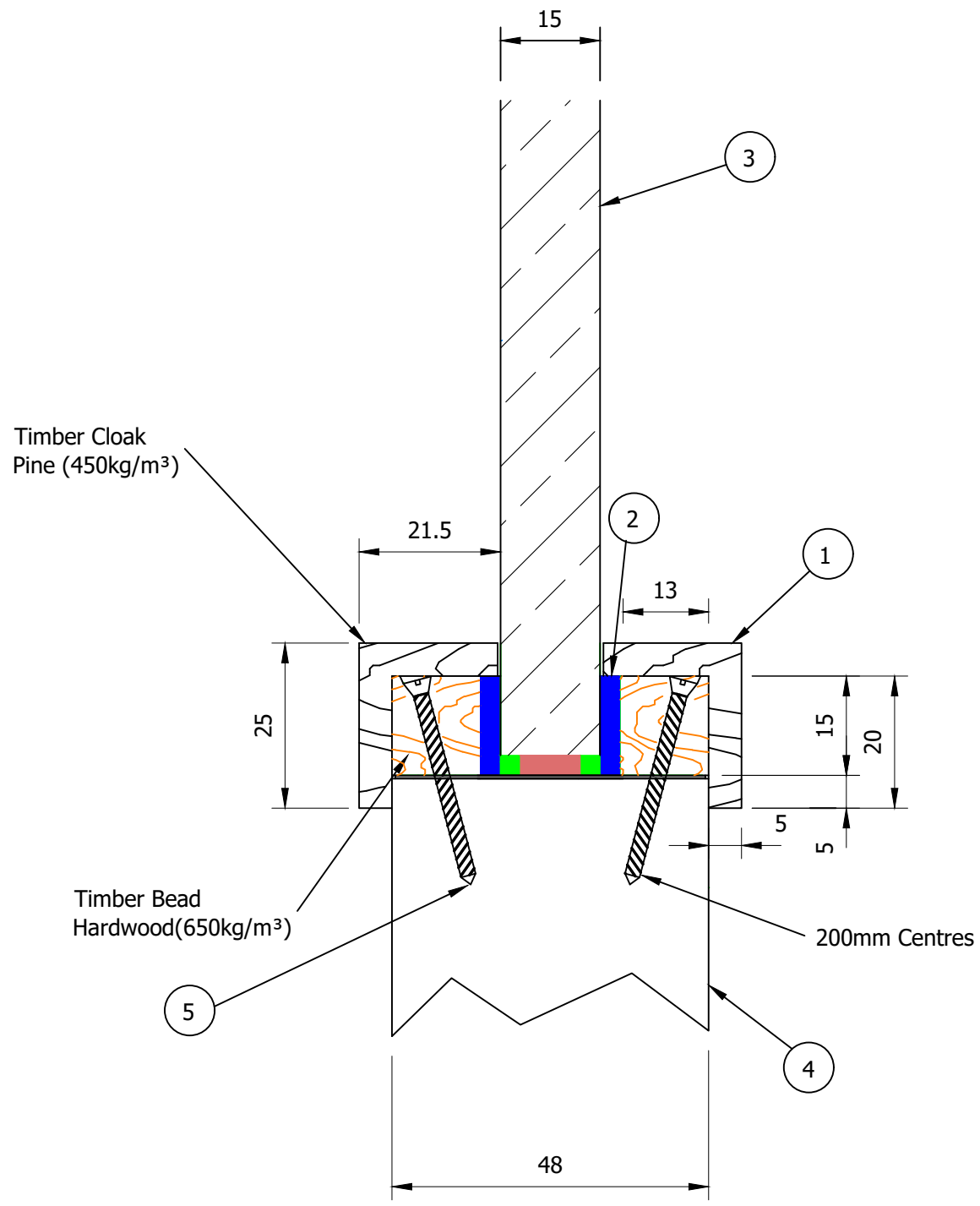

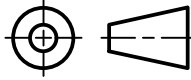


PART DETAILS			
ITEM	STOCK NUMBER	DESCRIPTION	COMMENTS
1	VPS 25 x 20 FRR	Timber Beading	
2	15 x 3 mm IS	Intumescent Strip	
3	Pyro 17	17 mm Pyro (Fire Resistant) Glass	
4	FRR Leaf	Fire Resistance Rated Door Leaf	
5	N50x3.2mm	Screws 8g x32	200mm Ctrs Typ

- 3mm Ceramic Tape
- 3mm Setting Block
- Liquid-Application Mastic
- 0.8mm Steel (from sheet)



Specifications	
CORE	Infernoguard 60
FRR	-/60/30sm, -/60/-sm

Drawn	G . STABLES	 SOTERIA™ DOORS Innovative Openings	Edward Street Dargaville 0310 Ph.: 0508 966 378
Client	Doors 'n' More		
Job	-		
Drawing Type	Installation	Fire Resistance Rated Vision Panel - Timber Beading	
Date	13/9/2023		
ALL DIMENSIONS ARE IN MILLIMETERS UNLESS OTHERWISE STATED		 3rd ANGLE PROJECTION	Drawing No. VP-FRR-Timber
TOLERANCES UNLESS OTHERWISE STATED: LINEAR: X - ±2 HOLES: ±0.1 X.X- ±0.1 ANGULAR: X.X - ±0.1° X.XX- ±0.05			Revision A1
		© COPYRIGHT	