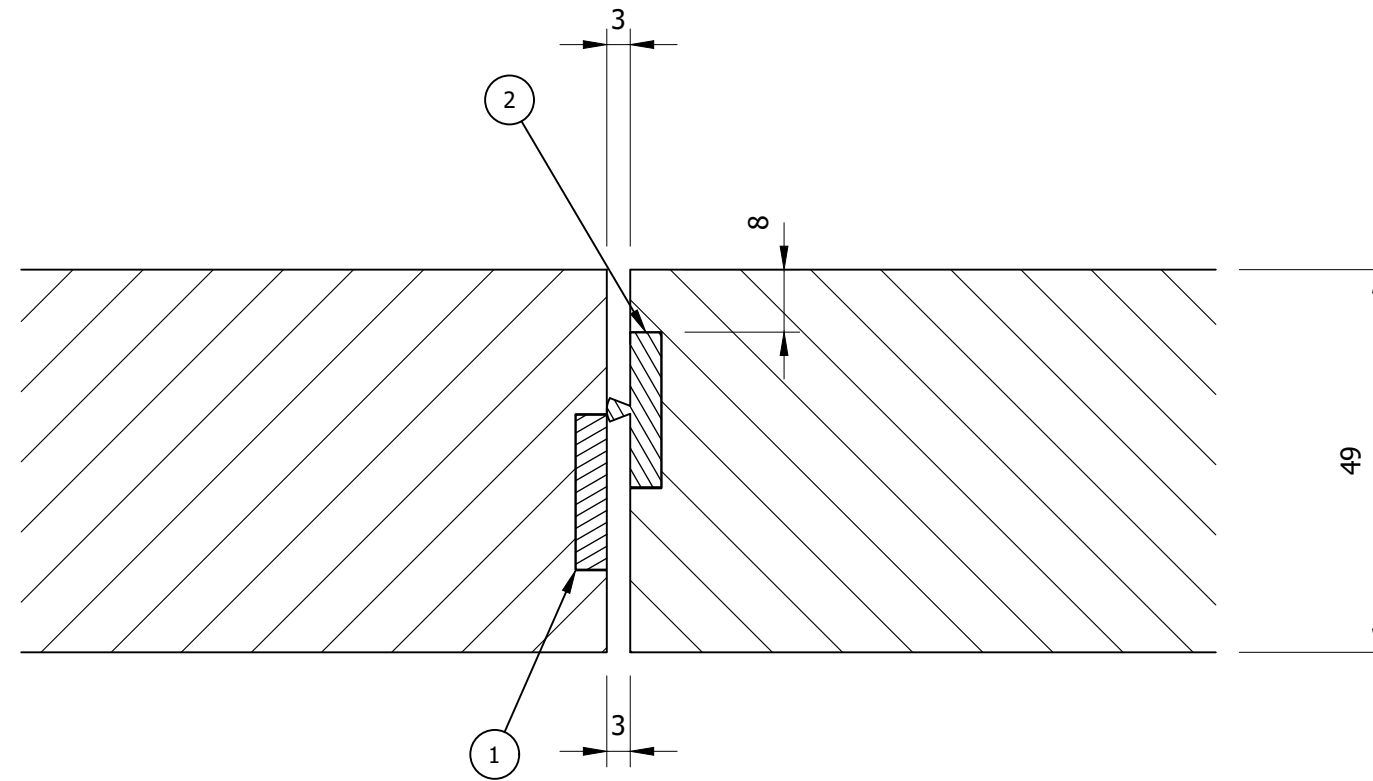

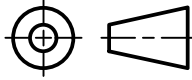


MATERIAL LIST			
ITEM	STOCK NUMBER	DESCRIPTION	COMMENTS
1	20 x 4 mm IS	Intumescent Strip	
2	20 x 4 mm 500PSS	Intumescent Strip w Brush Smoke Seal	

Specifications	
CORE	Infernoguard 60
FRR	-/60/60sm, -/60/30sm, -/60/-sm



Drawn	G . STABLES	 SOTERIA™ DOORS Innovative Openings	Edward Street Dargaville 0310 Ph.: 0508 966 378	
Client	Doors 'n' More			
Job	-			
Drawing Type	Installation	Fire Resistance Rated Hung Pair - Flush		
Date	13/9/2023			
ALL DIMENSIONS ARE IN MILLIMETERS UNLESS OTHERWISE STATED		 3rd ANGLE PROJECTION	Drawing No. MS-FRR-FI	
TOLERANCES UNLESS OTHERWISE STATED: LINEAR: X - ±2 HOLES: ±0.1 X.X - ±0.1 ANGULAR: X.X - ±0.1° X.XX - ±0.05			Revision A1	
		© COPYRIGHT		Sheet No. 1 / 1