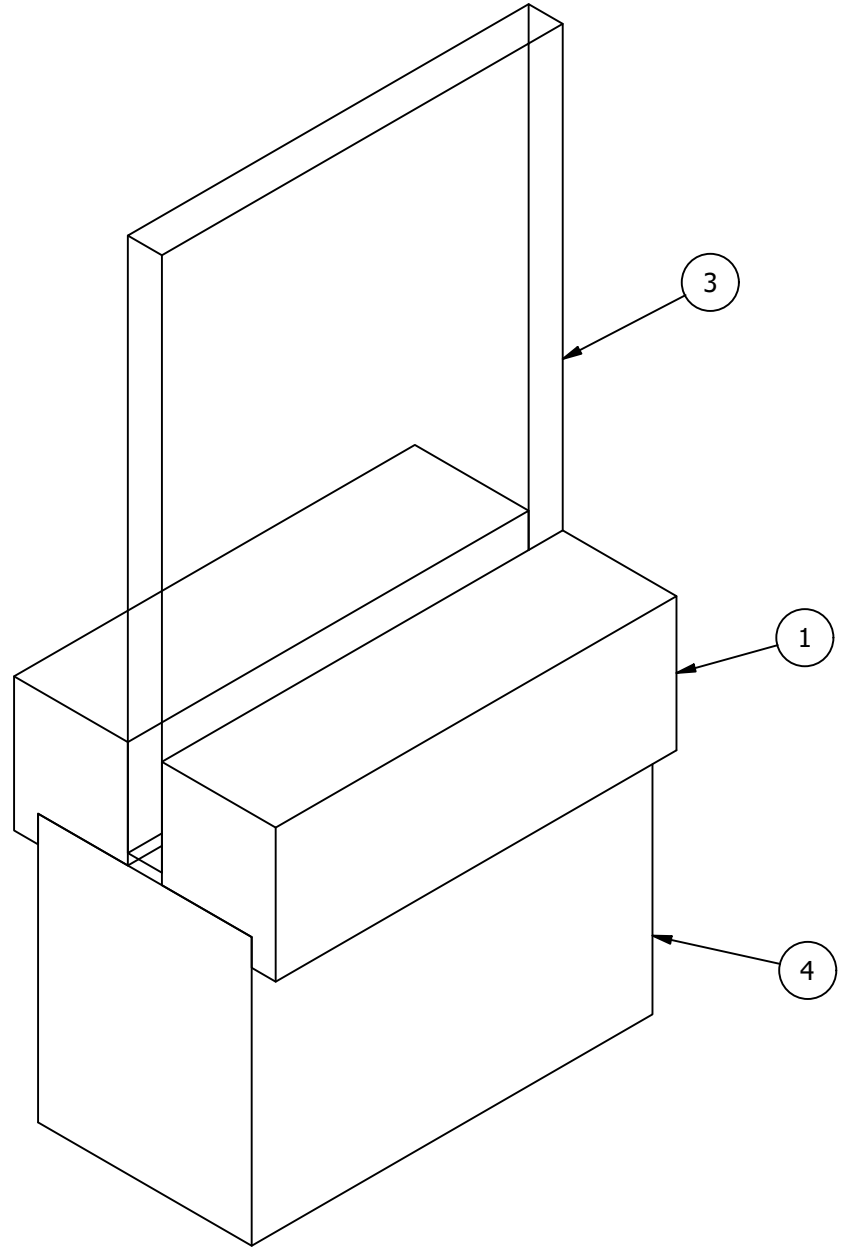
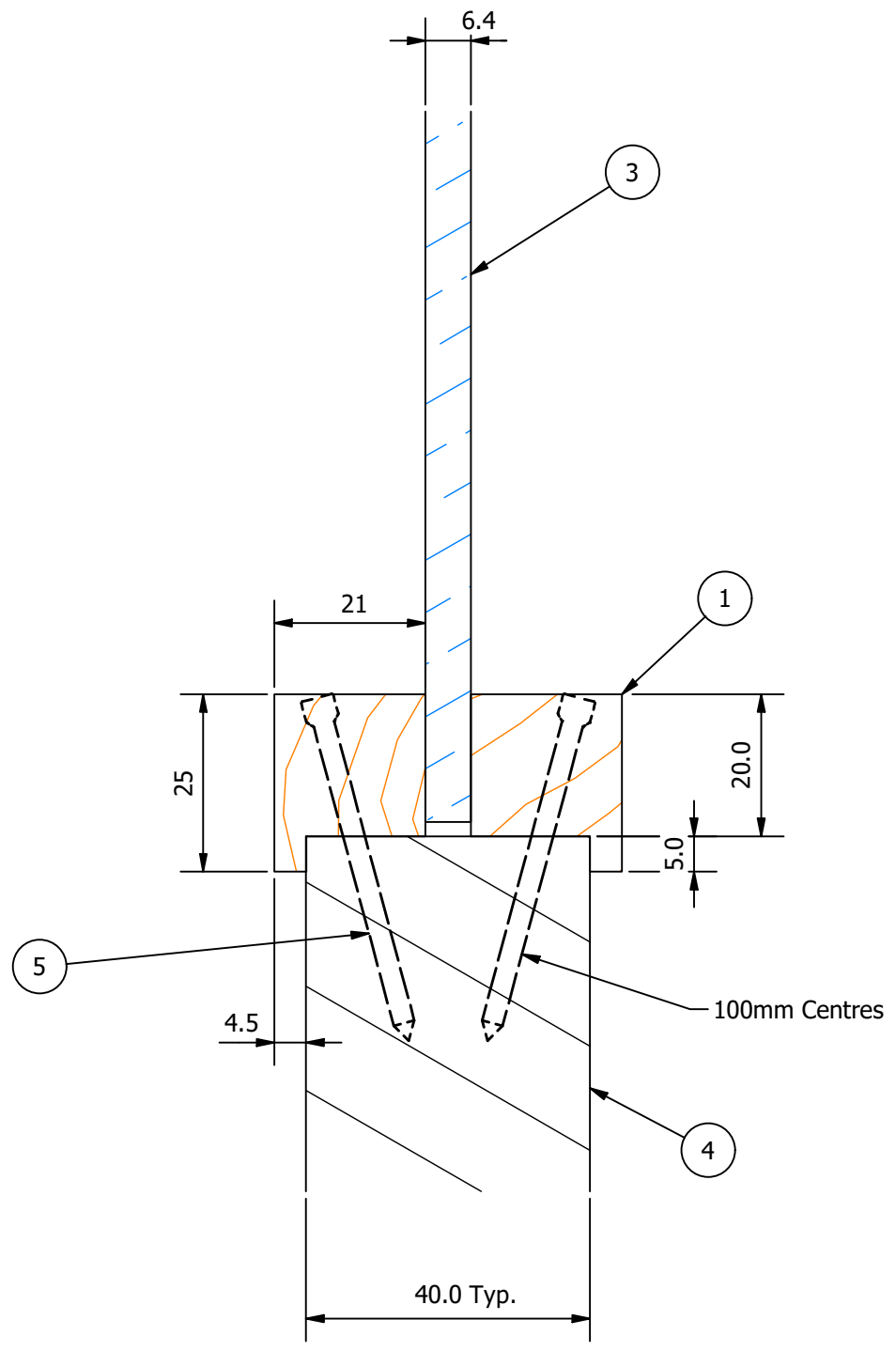


PART DETAILS			
ITEM	STOCK NUMBER	DESCRIPTION	COMMENTS
1	VPS 25 x 21.3	Timber Beading	
3	GLP 6mm	6.38 mm Glass Laminate	
4	SM Leaf	Smoke Resistance Rated Door Leaf	
5	N50x3.2mm	Galvanised Jolthead Nail 50x3.2mm	200mm Ctrs Typ

A-A (1 : 1)



Specifications	
CORE	Infernoguard Smoke
FRR	-/-/-sm

Drawn	Roy MACINTYRE
Client	Soteria
Job	-
Drawing Type	Installation
Job No.	-

SOTERIA
DOORS
Innovative Openings

Edward Street
Dargaville 0310
Ph.: 0508 966 378

ALL DIMENSIONS ARE IN MILLIMETERS
UNLESS OTHERWISE STATED

TOLERANCES UNLESS OTHERWISE STATED:
 LINEAR: X - ±1 HOLES: ±0.1
 X.X - ±0.1 ANGULAR: X.X - ±0.1°
 X.XX - ±0.05

3rd ANGLE
PROJECTION

© COPYRIGHT

Drawing No.	
SM VP - Timber	
Revision	Sheet No.
B	1 / 1