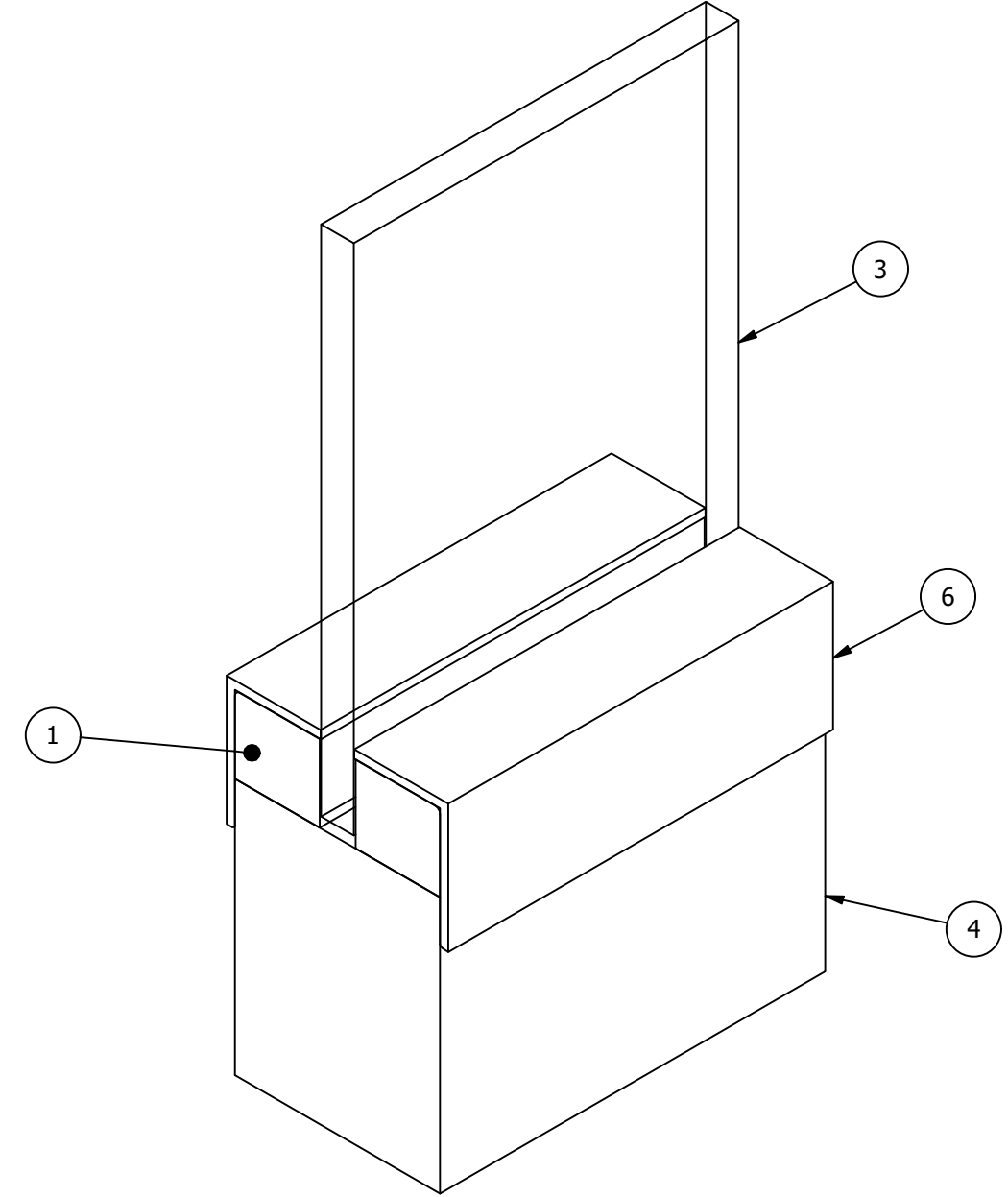
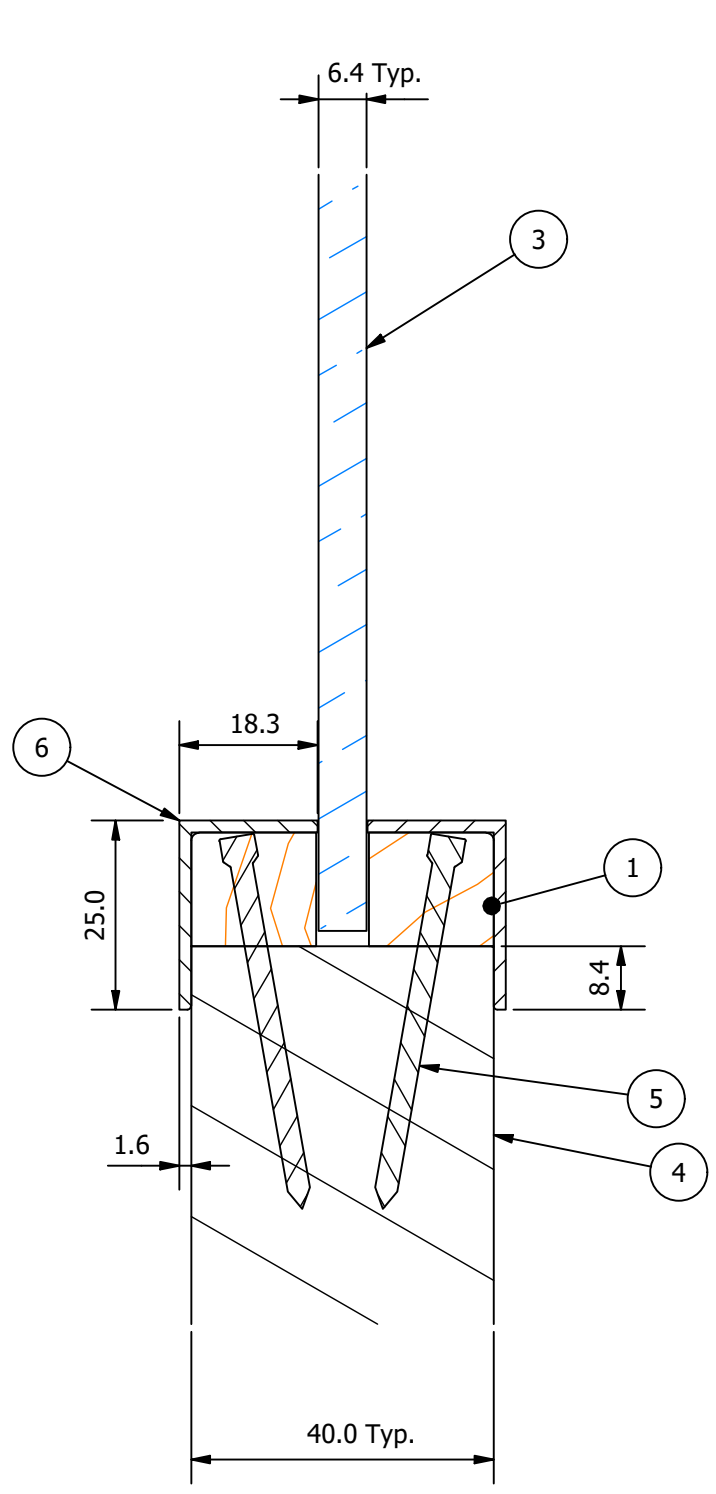


PART DETAILS			
ITEM	STOCK NUMBER	DESCRIPTION	COMMENTS
1	15 x 16.5 WB	Timber Bead	
3	GLP 6mm	6.38 mm Glass Laminate	
4	SM Leaf	Smoke Resistance Rated Door Leaf	
5	N50x3.2mm	Galvanised Jolthead Nail 50x3.2mm	200mm Ctrs Typ
6	UA1732	25 x 18 x 1.6 mm UA AL	Unequal Angle, Aluminium

A-A (1 : 1)



Specifications	
CORE	Infernoguard Smoke
FRR	-/-/-sm

Drawn	Roy MACINTYRE
Client	Soteria
Job	-
Drawing Type	Installation
Job No.	-

Edward Street
Dargaville 0310
Ph.: 0508 966 378

Smoke Resistance Rated Vision Panel - Aluminium Beading

ALL DIMENSIONS ARE IN MILLIMETERS
UNLESS OTHERWISE STATED

TOLERANCES UNLESS OTHERWISE STATED:
 LINEAR: X - ±1 HOLES: ±0.1
 X.X- ±0.1 ANGULAR: X.X - ±0.1°
 X.XX- ±0.05

3rd ANGLE
PROJECTION

© COPYRIGHT

Drawing No. VP-SM - Ali Bead	
Revision B	Sheet No. 1 / 1