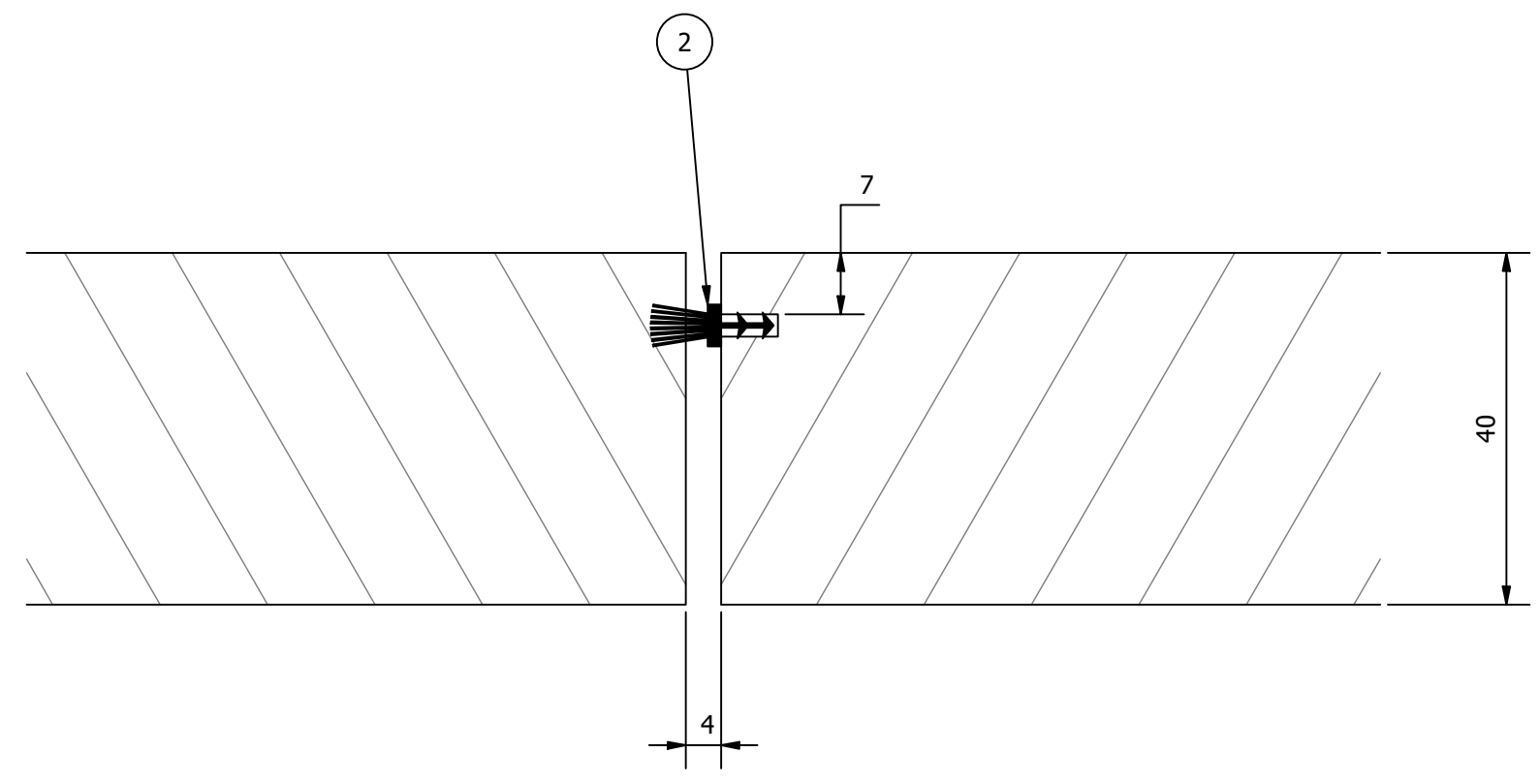

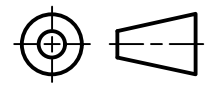


MATERIAL LIST			
ITEM	STOCK NUMBER	DESCRIPTION	COMMENTS
2	TS48 Brush Seal with Fin	Runs length of meeting stile	

Specifications	
CORE	InfernoGuard Smoke
FRR	-/-/-sm



Drawn	Roy MACINTYRE	 SOTERIA DOORS Innovative Openings	Edward Street Dargaville 0310 Ph.: 0508 966 378	
Client	Soteria			
Job	MS-FRR			
Drawing Type	Installation	Smoke Resistance Rated Hung Pair - Unclashed Meeting Stile		
Job No.	-			
ALL DIMENSIONS ARE IN MILLIMETERS UNLESS OTHERWISE STATED		 3rd ANGLE PROJECTION	Drawing No. MS-SM-Flush	
TOLERANCES UNLESS OTHERWISE STATED: LINEAR: X - ±1 HOLES: ±0.1 X.X- ±0.1 ANGULAR: X.X - ±0.1° X.XX- ±0.05			© COPYRIGHT	Revision B