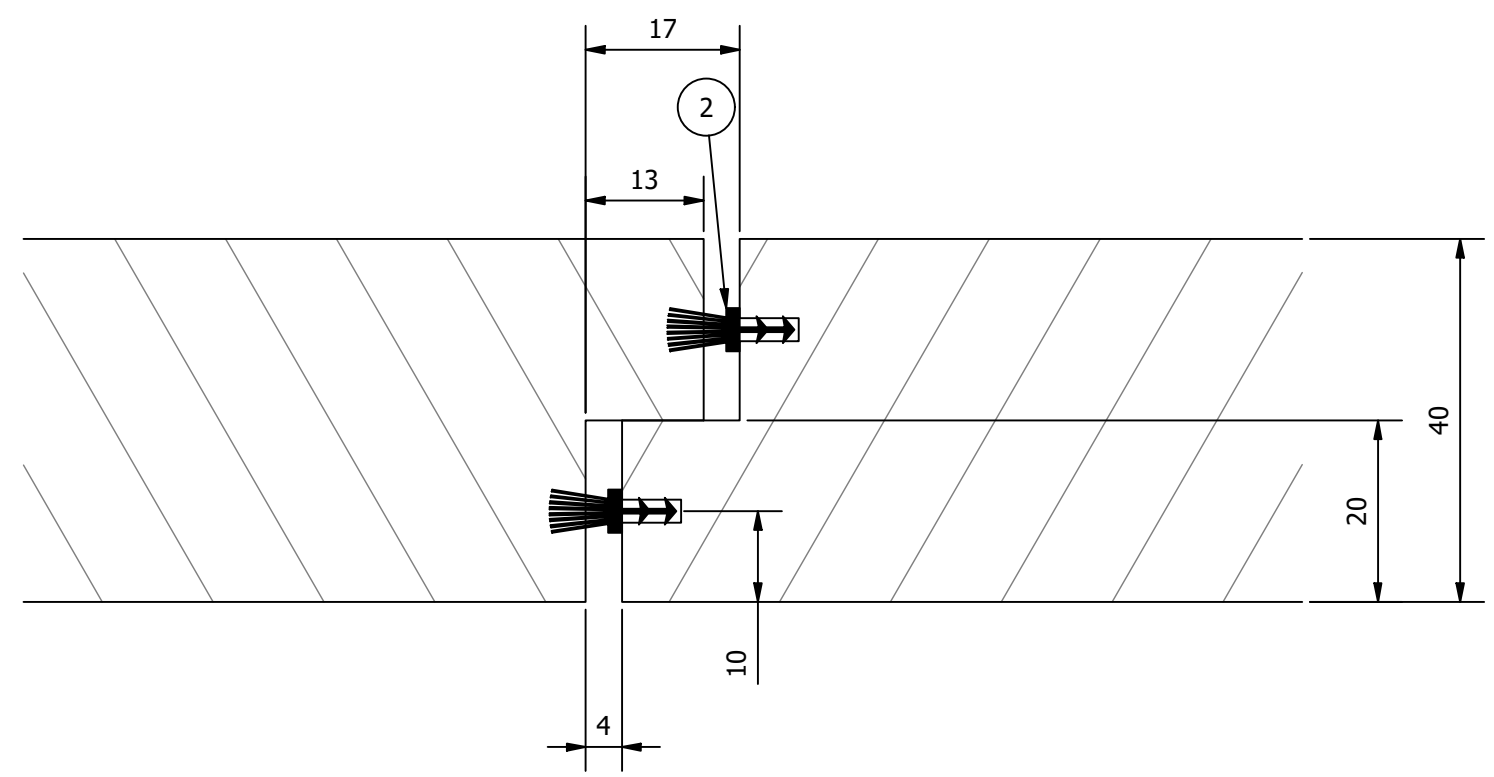

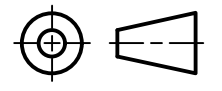


MATERIAL LIST			
ITEM	STOCK NUMBER	DESCRIPTION	COMMENTS
2	TS48 Brush Seal with Fin	Runs length of meeting stile	

Specifications	
CORE	Infernoguard Smoke
FRR	-/-sm



Drawn	Roy MACINTYRE	 <b>SOTERIA DOORS</b> Innovative Openings	Edward Street Dargaville 0310 Ph.: 0508 966 378	
Client	Soteria			
Job	MS-FRR			
Drawing Type	Installation	Smoke Resistance Rated Hung Pair - Unclashed Rebated Meeting Stile		
Job No.	-			
ALL DIMENSIONS ARE IN MILLIMETERS UNLESS OTHERWISE STATED		 3rd ANGLE PROJECTION	Drawing No.	
TOLERANCES UNLESS OTHERWISE STATED: LINEAR: X - ±1      HOLES: ±0.1 X.X - ±0.1      ANGULAR: X.X - ±0.1° X.XX - ±0.05			MS-SM-UCR	
		© COPYRIGHT	Revision	Sheet No.
			B	1 / 1