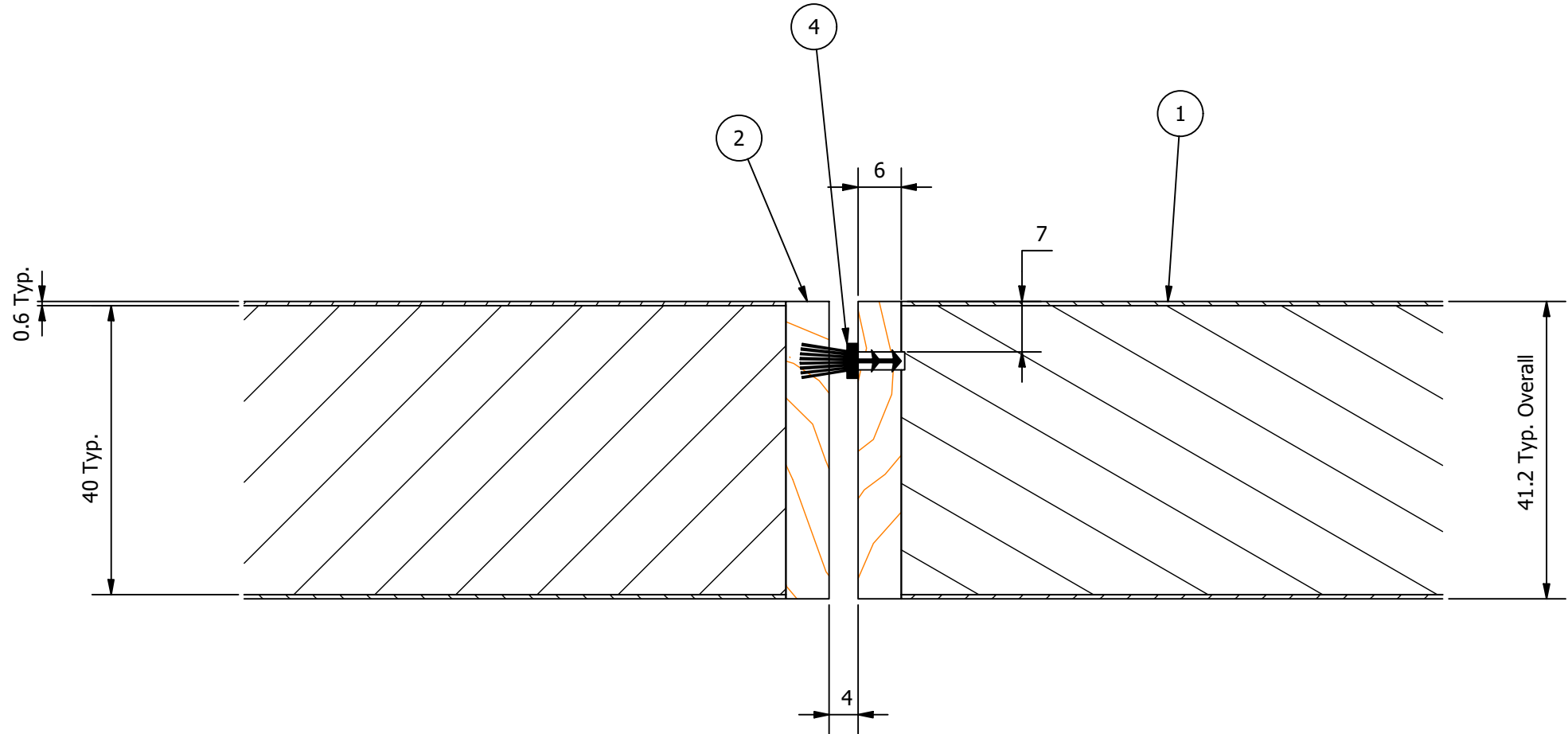

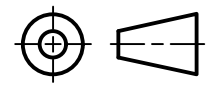


Specifications	
CORE	Infernoguard Smoke
FRR	-/-/-sm

MATERIAL LIST			
ITEM	STOCK NUMBER	DESCRIPTION	COMMENTS
1	VNR	Timber Veneer/ Laminate	
2	41 x 6 mm MS	Meeting Stile Timber Profile	Material to suit veneer, Density to be 480 kg/m3 or higher
4	TS48 Brush Seal with Fin	Runs length of meeting stile	



Drawn	Roy MACINTYRE	 SOTERIA DOORS Innovative Openings	Edward Street Dargaville 0310 Ph.: 0508 966 378
Client	Soteria		
Job	MS-FRR		
Drawing Type	Installation	Smoke Resistance Rated Hung Pair - Clashed Flush Meeting Style	
Job No.	-		
ALL DIMENSIONS ARE IN MILLIMETERS UNLESS OTHERWISE STATED TOLERANCES UNLESS OTHERWISE STATED: LINEAR: X - ±1 HOLES: ±0.1 X.X - ±0.1 ANGULAR: X.X - ±0.1° X.XX - ±0.05		 3rd ANGLE PROJECTION	Drawing No. MS-SM-Clashed
		© COPYRIGHT	Revision B
			Sheet No. 1 / 1