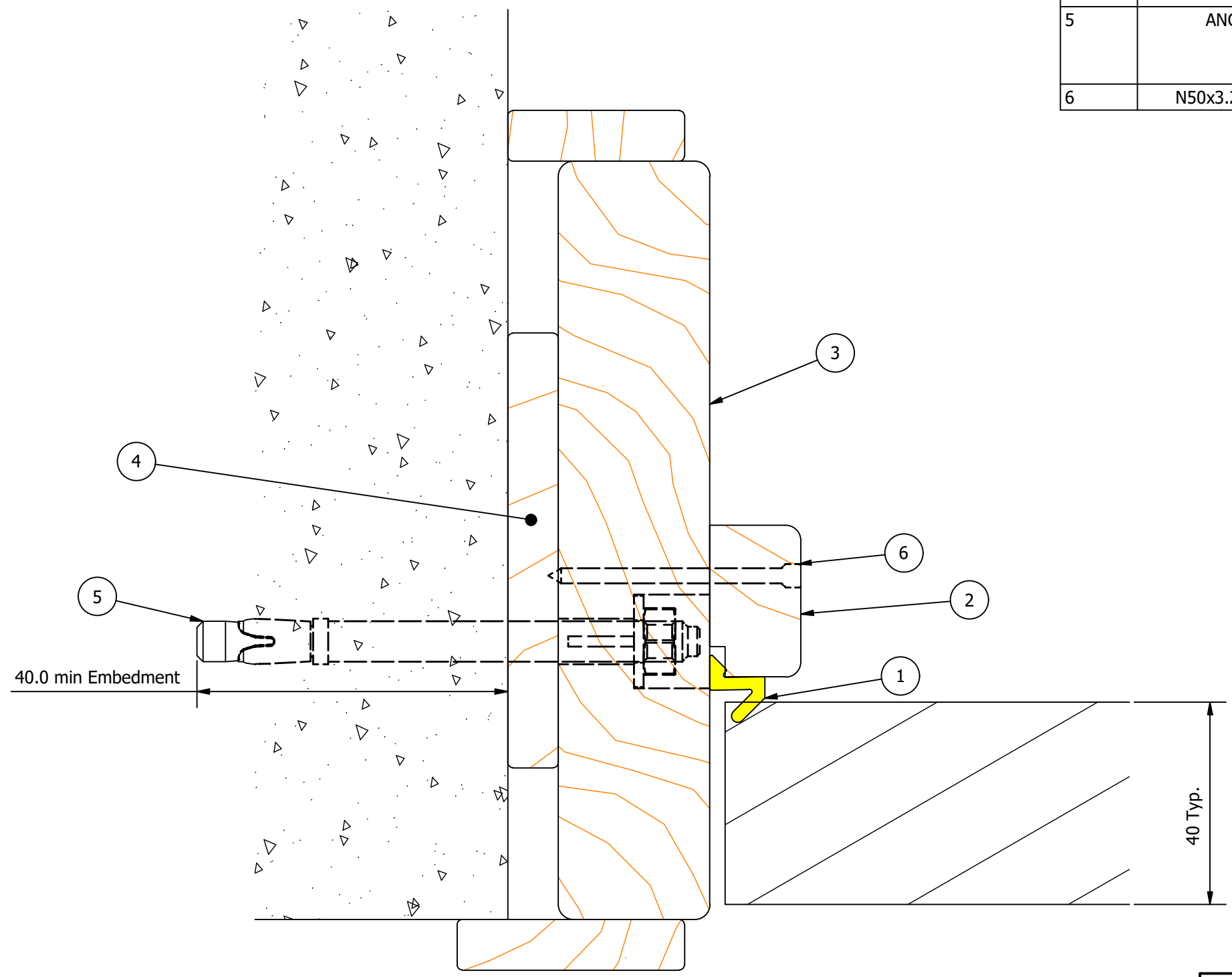

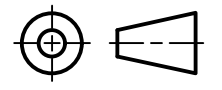


PART DETAILS			
ITEM	STOCK NUMBER	DESCRIPTION	COMMENTS
1	AQ21	Schlegel Aquamac Perimeter Seal	
2	DS 30 x 18 mm FRR	Door Stop	To suit AQ21 Seal
3	J1	J1 Jamb, 30 mm Pine	92-600mm wide available
4	WB	Wedging Block	Cut to suit
5	ANC	Dynabolt	Ramset Dynabolt M10 x 100mm or equivalent; to suit 40mm min embedment. Refer installation instructions for fixing points
6	N50x3.2mm	Galvanised Jolthead Nail 50x3.2mm	200mm Ctrs Typ



Specifications	
CORE	Infernoguard Smoke
FRR	-/-/-sm
STUD	Masonry
JAMB	J1

Drawn	Roy MACINTYRE	 SOTERIA DOORS Innovative Openings	Edward Street Dargaville 0310 Ph.: 0508 966 378	
Client	Soteria			
Job	-			
Drawing Type	Installation	J1 Jamb Smoke Door - Masonry Wall Installation		
Job No.	-			
ALL DIMENSIONS ARE IN MILLIMETERS UNLESS OTHERWISE STATED		 3rd ANGLE PROJECTION	Drawing No. J1 SM M	
TOLERANCES UNLESS OTHERWISE STATED: LINEAR: X - ±1 HOLES: ±0.1 X.X- ±0.1 ANGULAR: X.X - ±0.1° X.XX- ±0.05			© COPYRIGHT	Revision B