

Specification Name:

Infernoguard® 30 Minute Fire Rated – Masonry Wall Jamb Types: Timber Jamb

Specification Code	Fire Resistance Rating (FRR)	Wall Requirement
IF30HPM IF30HSM	-/30/30sm	Standard Masonry wall min 120mm thick.

Required Fixings:

- Door Jamb to wall – M12 Dynabolts
– M12 Concrete screw bolts
- Doorstop – Nails/Pins 40mm long
- Architraves are optional – Nails/Pins 40mm long
- Infernoguard Mastic
- Infernoguard Rokstop (if wedging gaps are over 10mm)
- PEF Backing Rod

Installation Checklist:

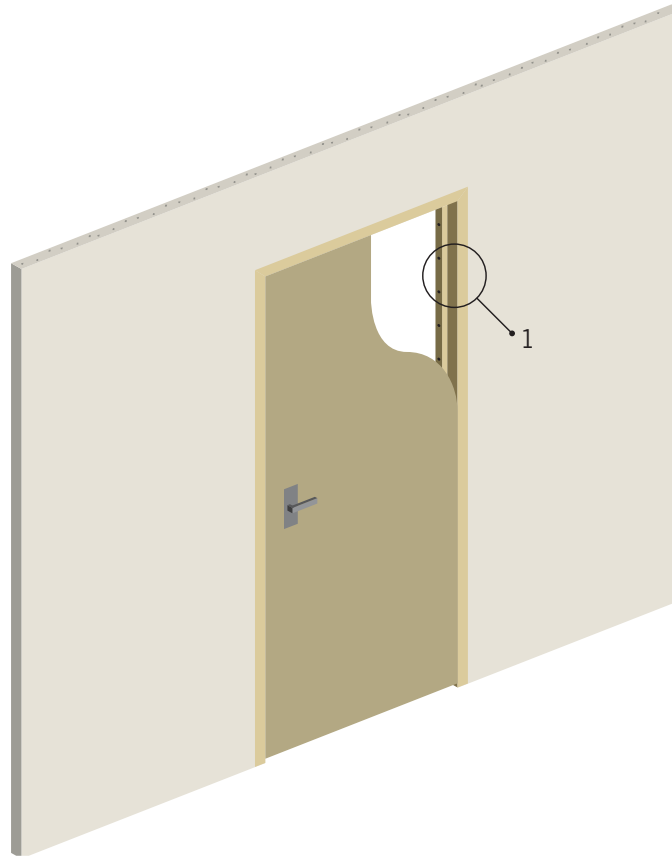
- Installer Declaration received. Declaration form is to be completed and returned before fire door certification tags can be issued. Send declaration to infernoguard@soteriadoors.co.nz
- Check all hardware and specified fixings are available. Fire doors are to have door closers and a self-latching or locking system. All hardware must comply with Soteria approved hardware. If unsure, check with Soteria or approved hardware guide on our website www.soteriadoors.co.nz

Fixing of Doorset:

1. Ensure prepared opening is both square and plumb.
2. Check the opening is within the recommended trim size – refer to trim size calculator on website. (Overall door & frame width + 15mm, Overall door & frame height + 5mm)
3. Remove the doorstop from the doorset.
4. Place the doorset into the prepared opening.
5. Wedge/pack gap between back of jamb and framing. Minimum = Direct Fix, Maximum 10mm gap. Pre-drill holes for fixings.
6. Fix back the hinge jamb to the stud.
7. Wedge/pack and fix back the closing jamb as per step 4 & 5. Max 10mm gap. (Note: Wedging Gaps up to 30mm have been successfully tested. Special details including Infernoguard® Rokstop packing required)
8. No fixing is required on the head jamb of single doors. Fix double doors at the head at the mid-point.
9. Ensure the doorset is square in the opening and opens and shuts freely.
10. Reposition the doorstop and fix in the required position allowing tolerance for door seals.
11. Install PEF backing rods to perimeter of the wall/door interface as per drawings below.
12. Install Infernoguard® mastic to the perimeter of wall/door interface to the depth/thickness as per below.
13. Fit architraves to door. Architraves are optional when fitting into masonry walls.
14. Fit perimeter seals to doorstop.
15. Complete and sign installer fire door declaration sheets and return promptly to Soteria Doors.

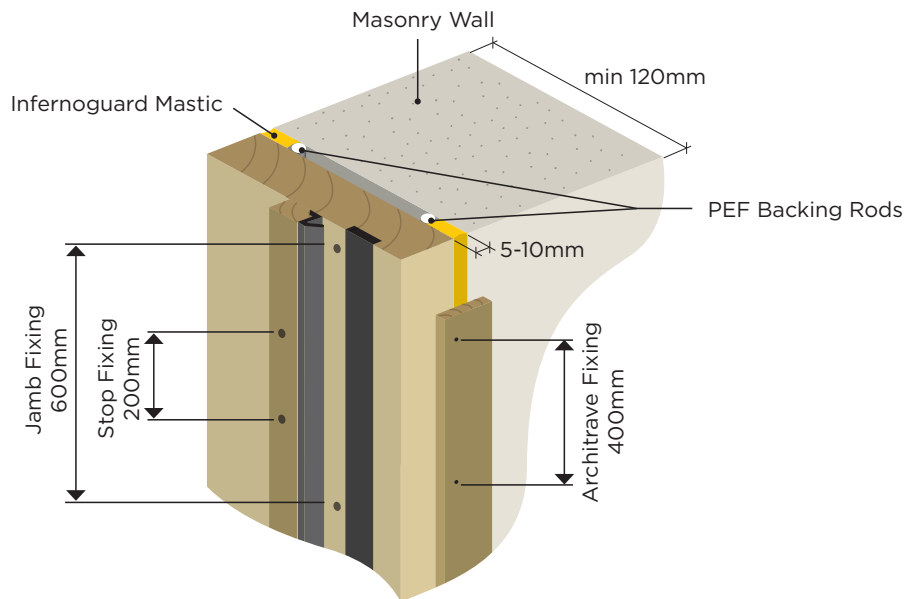
Wall Door Elevation

①



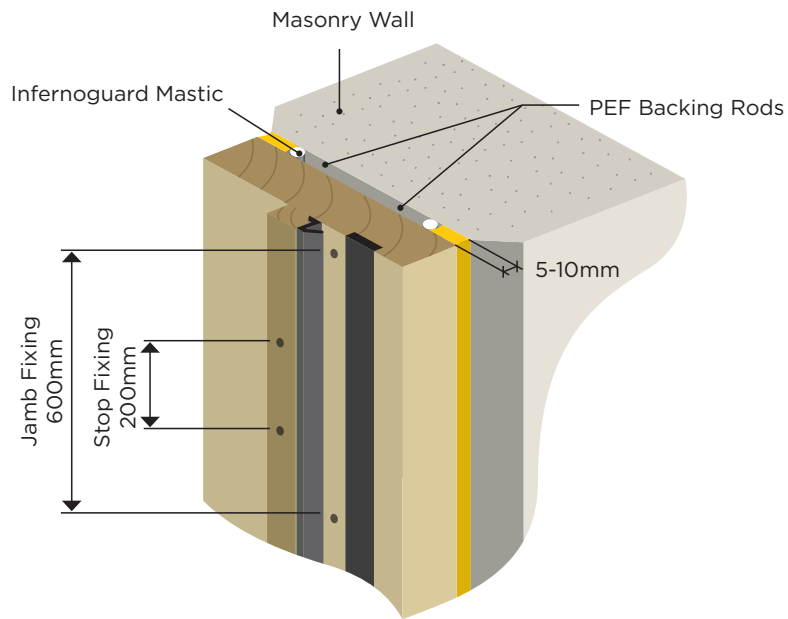
J1 - Exposed Architrave Wall Junction

①



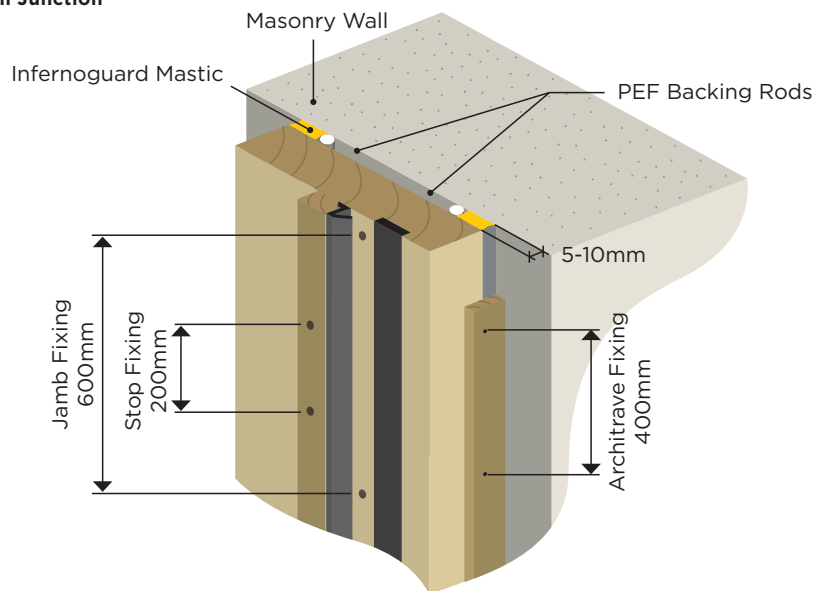
J1 - Non Architrave Wall Junction

①



J1 - Inset Architrave Wall Junction

①



J4 - Wall Junction

①

