

Specification Name:

Infernoguard® Smoke Rated – Steel Stud Jamb Types: Timber Jamb

Specification Code	Fire Resistance Rating (FRR)	Wall Requirement
IFSMHPS IFSMHSS	-/-/-sm	Minimum Ex 64mm steel studs with 10mm standard plasterboard to each side to manufacturer's installation instructions.

Required Fixings:

- Door Jamb to wall – Wood Screws 10g x 75mm
- Doorstop - Nails 40mm long
- Architrave - Nails 40mm long

Installation Checklist:

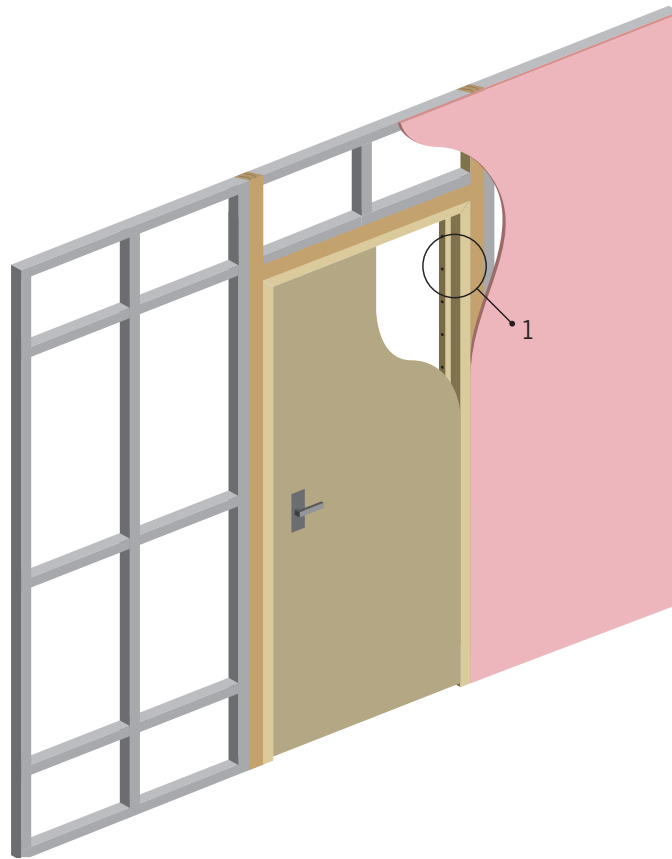
- Installer Declaration received. Declaration form is to be completed and returned before fire door certification tags can be issued. Send declaration to sales@soteriadoors.co.nz
- Check all hardware and specified fixings are available. Fire doors are to have door closers and a self-latching or locking system. All hardware must comply with Soteria approved hardware. If unsure, check with Soteria or approved hardware guide on our website www.soteriadoors.co.nz

Fixing of Doorset:

1. Ensure prepared opening is both square and plumb.
2. Check the opening is within the recommended trim size. (Overall door & frame width + 15mm, Overall door & frame height + 5mm)
3. Remove the doorstop from the doorset.
4. Place the doorset into the prepared opening.
5. Wedge/pack gap between back of jamb and framing. Minimum = Direct Fix, Maximum 10mm gap. Pre-drill holes for fixings.
6. Fix back the hinge jamb to the stud.
7. Wedge/pack and fix back the closing jamb as per step 4 & 5. Max 10mm gap.
8. No fixing is required on the head jamb of single doors. Fix double doors at the head at the mid-point.
9. Ensure the doorset is square in the opening and opens and shuts freely.
10. Reposition the doorstop and fix in the required position allowing tolerance of 5-6mm between door stop and face of the door.
11. Fit architraves to door. Architraves are optional when fitting into masonry walls.
12. Fit perimeter seals to doorstop.
13. Complete and sign installer fire door declaration sheets and return promptly to Soteria Doors.

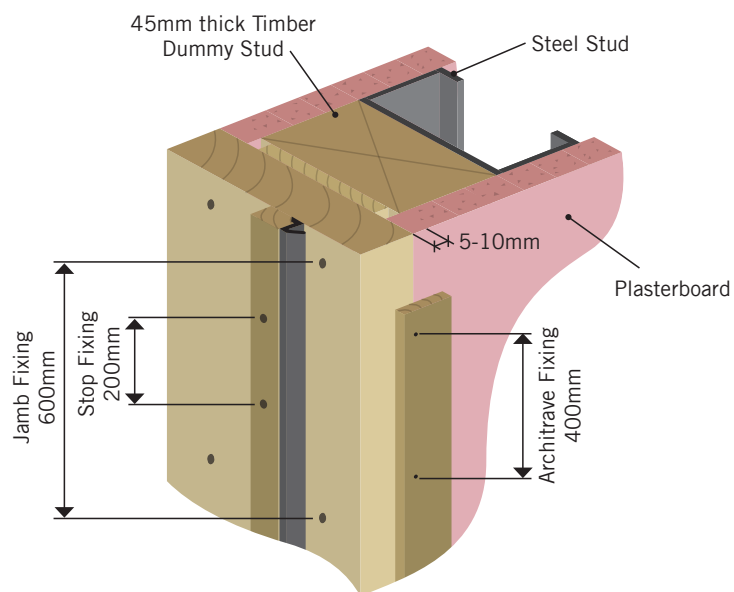
Wall Door Elevation

①



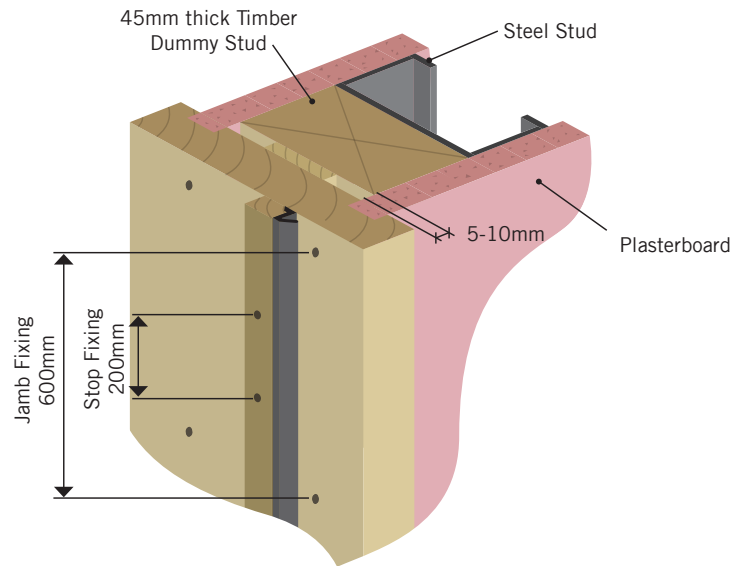
J1 - Wall Junction

①



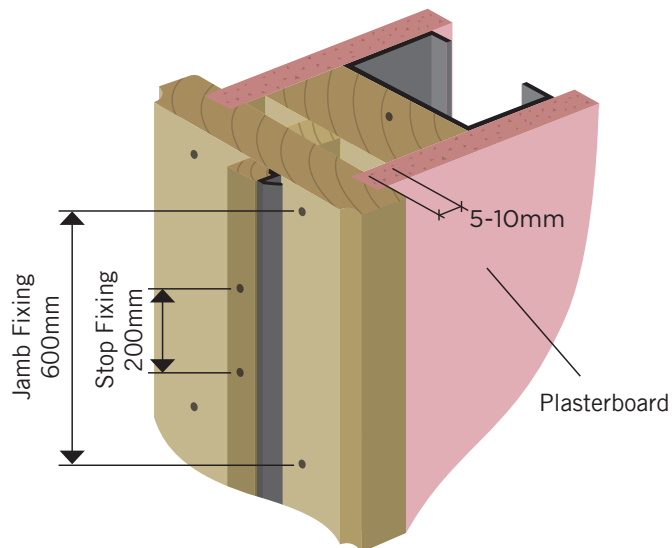
J2 - Wall Junction

①



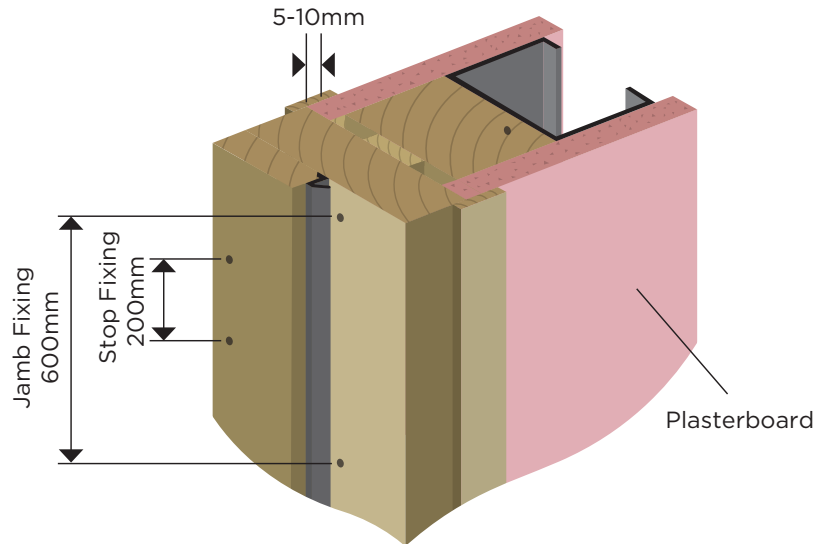
J2a - Wall Junction

①



J4 Wall Junction

①



J4a - Wall Junction

①

