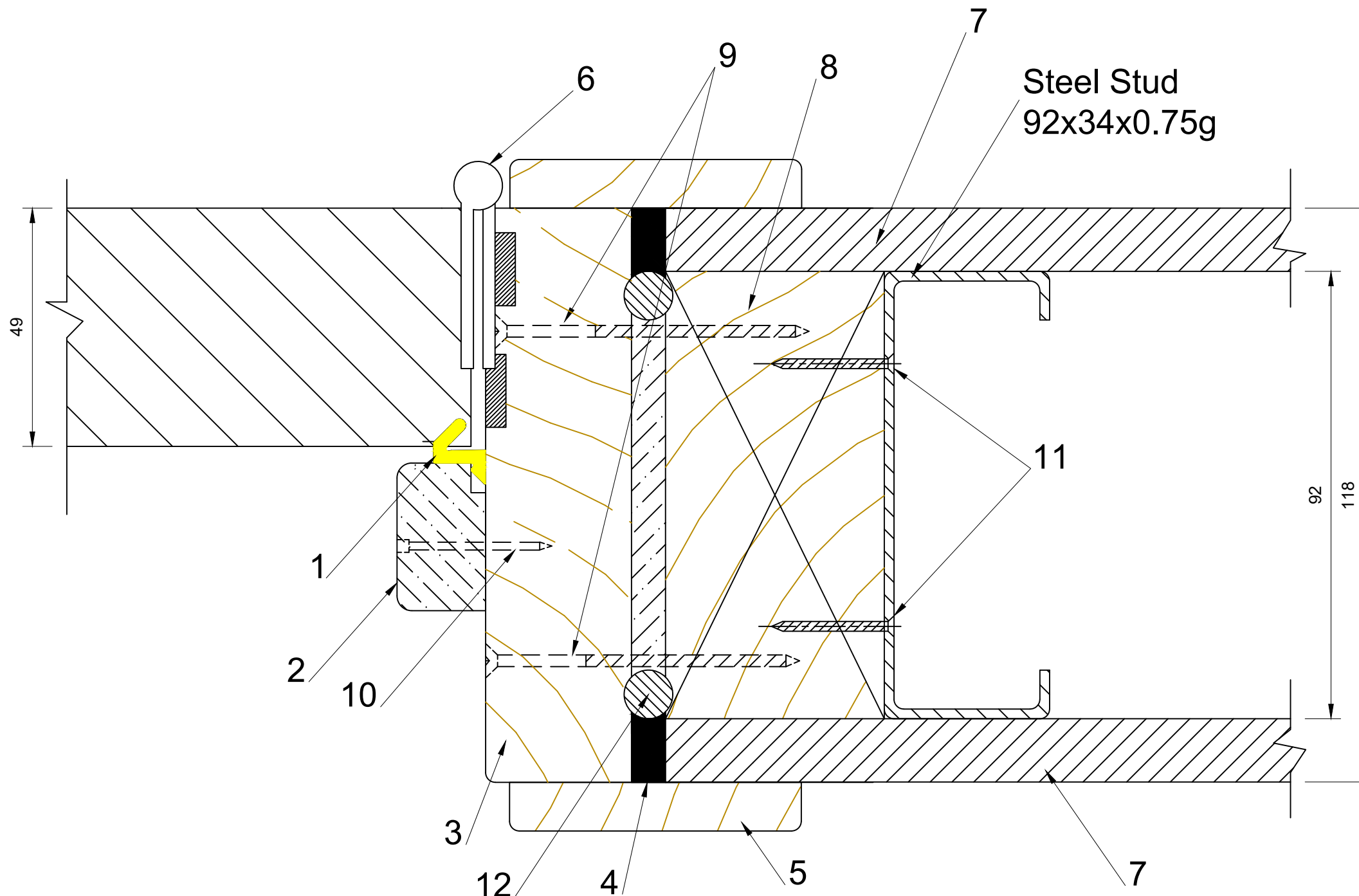


# PARTS LIST

Item	Stock Number	Description
1	AQ21	Schlegel Aquamac AQ21 Frame Seal
2	FJ Pine Doorstop 30x18mm	Finger Joint Pine=450 kg/m <sup>3</sup>
3	Jamb FRRx30mm	Hardwood, Minimum Density=650kg/m <sup>3</sup>
4	Infernoguard Mastic	Infernoguard Mastic
5	Architrave	60x10mm Finger Joint Pine.
6	HX10075	100X75X2.5mm Steel Hinge
7	Fryeline Gib	13mm Fryeline Gib
8	Pine Timber Dummy Stud	90x45 Pine
9	8g x 75mm	Jolt Head screw
10	N 32mmx1.6mm	Jolthead Nail 38x1.6mm
11	Pan Head Screw	25mmx8g Pan Head Screw
12	PEF Rod	Polyurethane Foam Backing Rod



Steel Stud  
92x34x0.75g

Drawn	Cad Services Northland Ltd
Client	Soteria Doors
Job	Design Drawings
Drawing Type	Spec Sheets
Job No	x

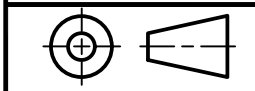
**SOTERIA**  
DOORS  
Innovative Openings

Edward Street  
Dargaville 0310  
Ph.: 0508 966 378

## Door Vertical Jamb

2 Door Test-Steel Framing

All Dimensions in Millimetres Unless  
Otherwise Stated



Scale - 1/1  
Date-18/03/2025

Design Drawings	
Revision Version 2	Sheet No 1 of 1

Copyright